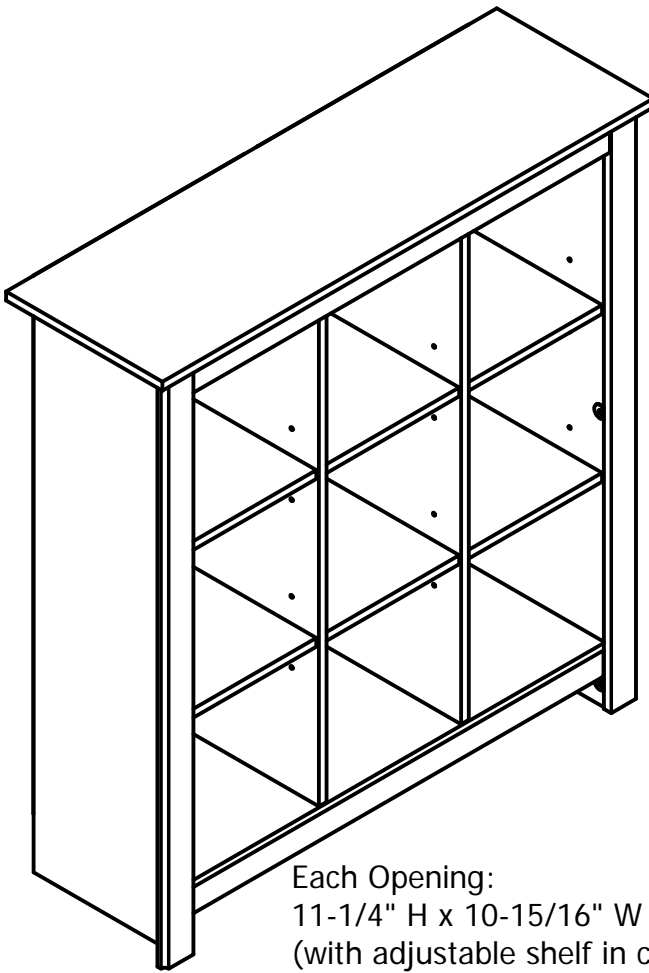


**Model: 7671---**  
**Unit Weight: 62 lbs.**

MODEL NUMBER	
7671---	
UNIT DESCRIPTION	
9 CUBE STORAGE	
ASSEMBLED DIMENSIONS (H X W X D)	
42-1/4" X 40-3/16" X 12-13/16"	
107.4 cm X 102.0 cm X 32.5 cm	



Each Opening:  
 11-1/4" H x 10-15/16" W x 11-1/2" D  
 (with adjustable shelf in center location)  
 Adjustable shelf can be moved up or down  
 2-1/2" from center location.