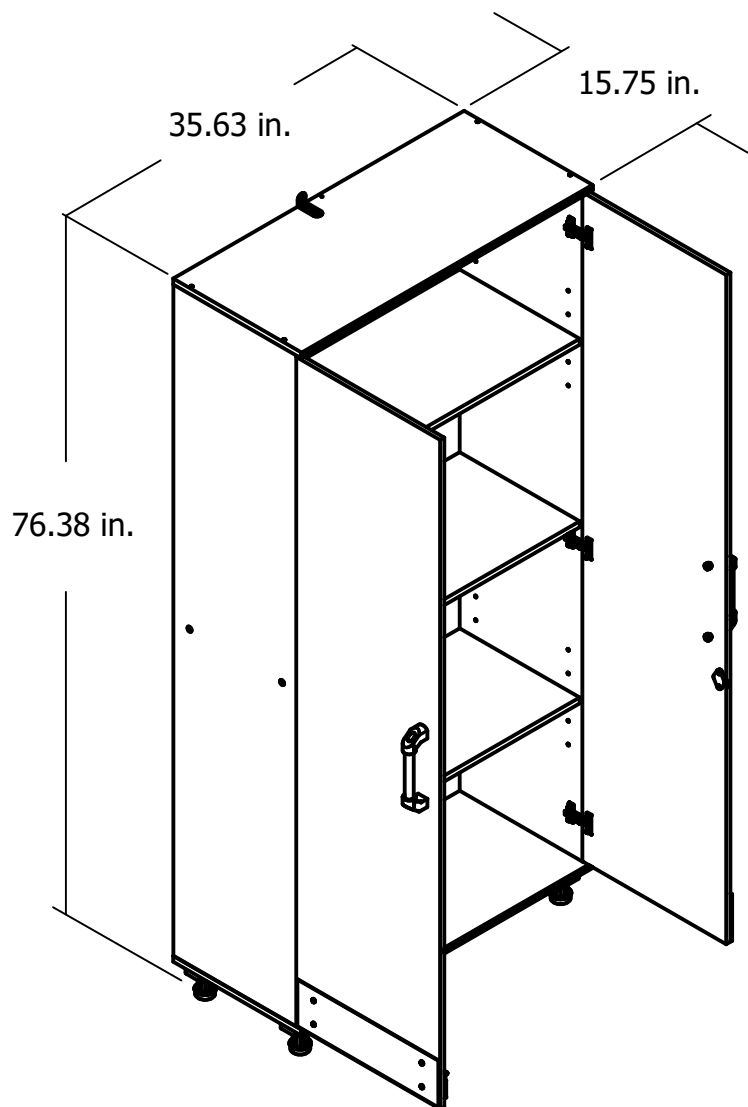


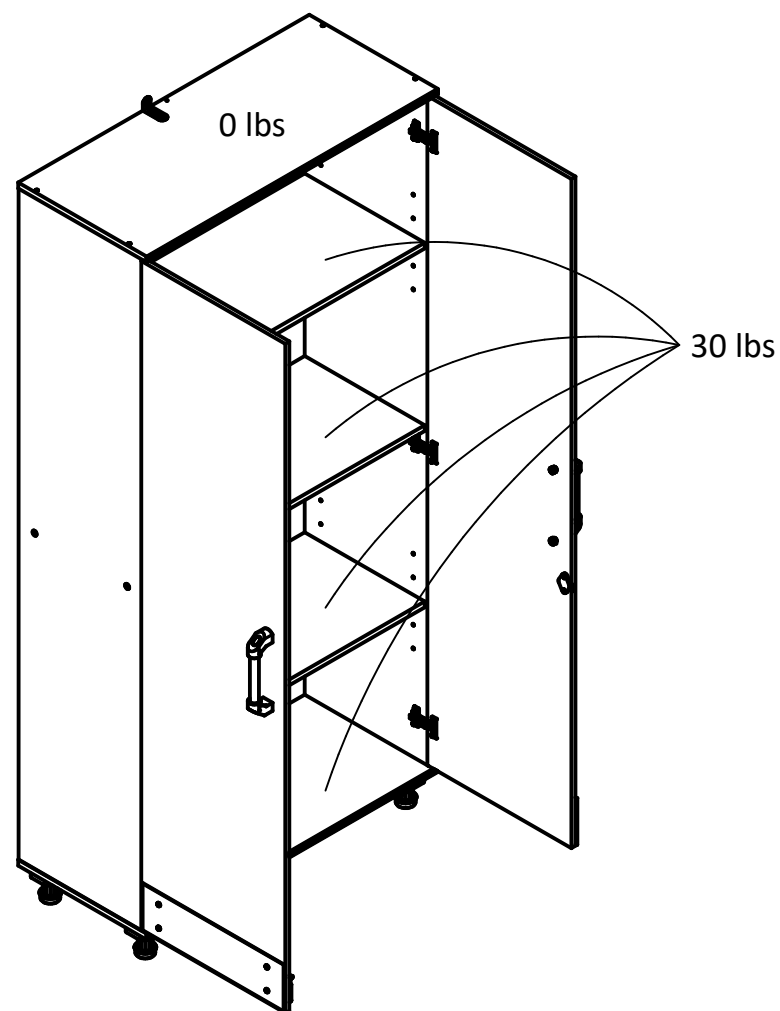
# 7446059COM

Finish: Charcoal / Silver

system  
build 



Overall Product Size (in inches)  
76.38 in. H x 35.63 in. W x 15.75 in D



Maximum Weight Capacities