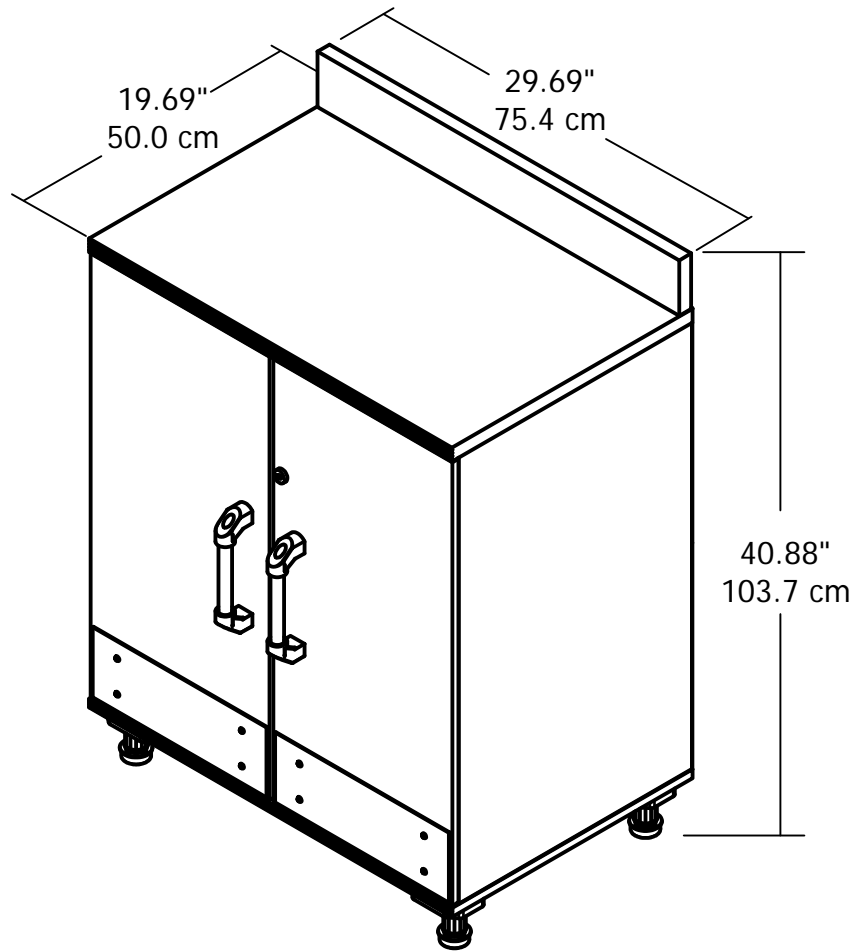


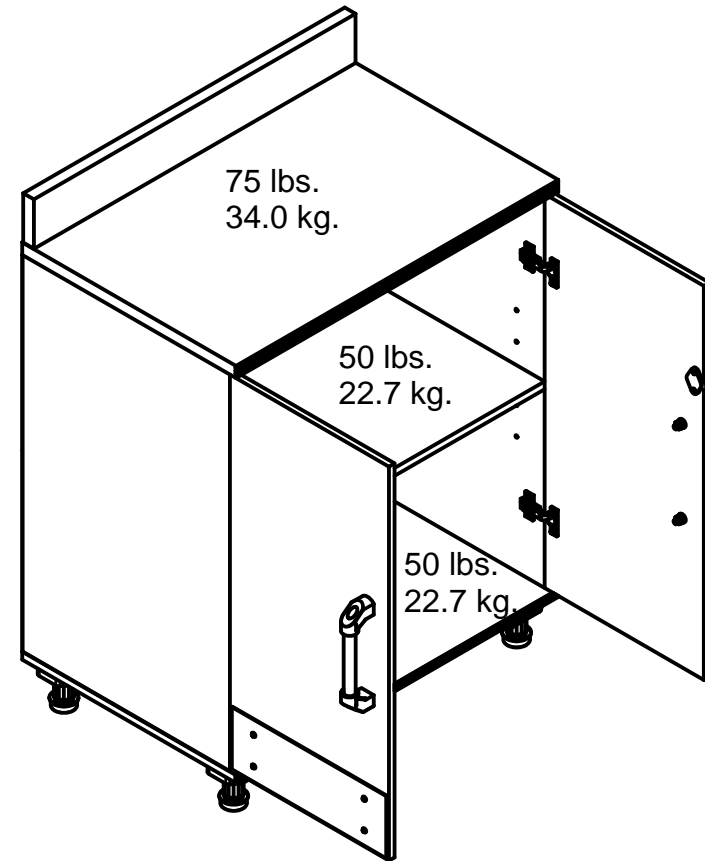
7448059COM - 2-Door Base Cabinet

Finish: Charcoal / Silver



Overall Product Size:
29.69"W x 19.69"D x 40.88"H
75.4cm W x 50.0cm D x 103.8cm H

Wood Breakdown: 95%
Total storage: 10 cubic feet



Interior Storage dimensions:
(2) storage spaces (adjustable heights)
28.59 in. (72.6 cm) W
31.66 in. (80.4 cm) H
19.09 in. (48.5 cm) D

10 cubic feet storage area

Maximum Weight Capacities
Unit Weight: 68 lbs. (30.85 kg)