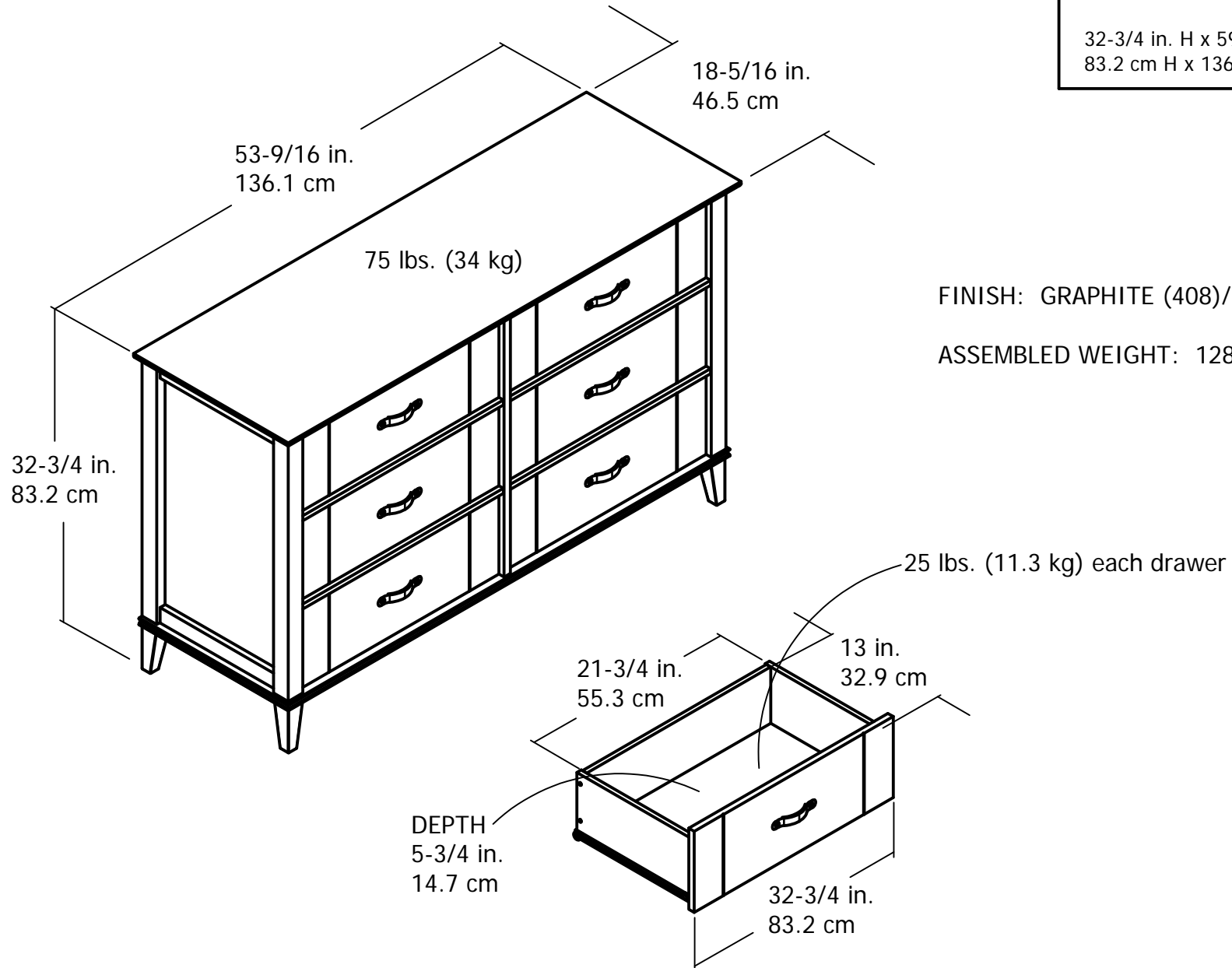


UNIT DESCRIPTION
6 DRAWER DRESSER

ASSEMBLED DIMENSIONS (H X W X D)

32-3/4 in. H x 59-9/16 in. W x 18-5/16 in. D
83.2 cm H x 136.1 cm W x 46.5 cm D



FINISH: GRAPHITE (408)/RODEO OAK (213)

ASSEMBLED WEIGHT: 128 lbs. (58.1 kg)