

Franklin End Table W/2 Drawers

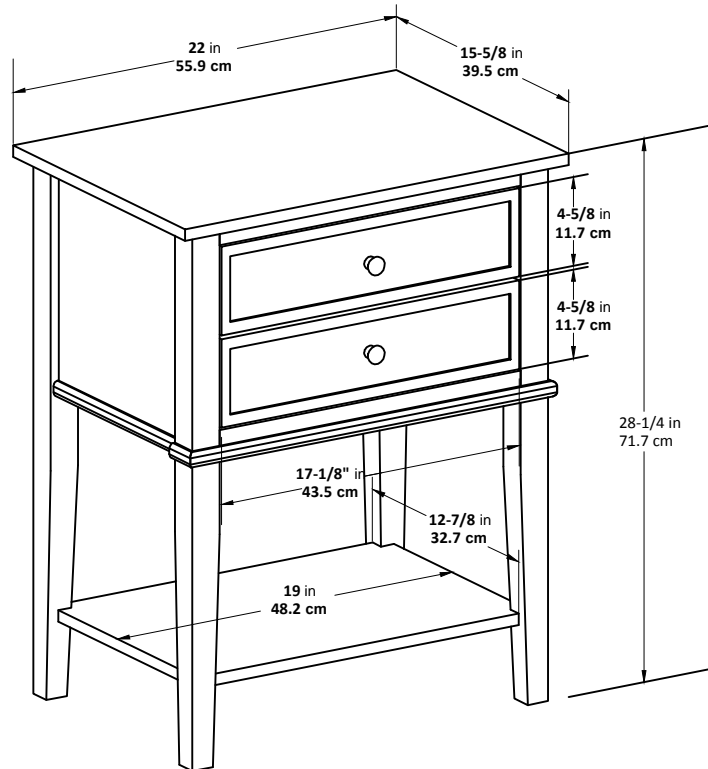
Model Number: 5062396PCOM

Finish: Blue



OVERALL PRODUCT SIZE(in inches)

End Table W/2 Drawer: 22"(W)* 15-5/8"(D)* 28-1/4"(H)



MAXIMUM WEIGHT CAPACITIES

