

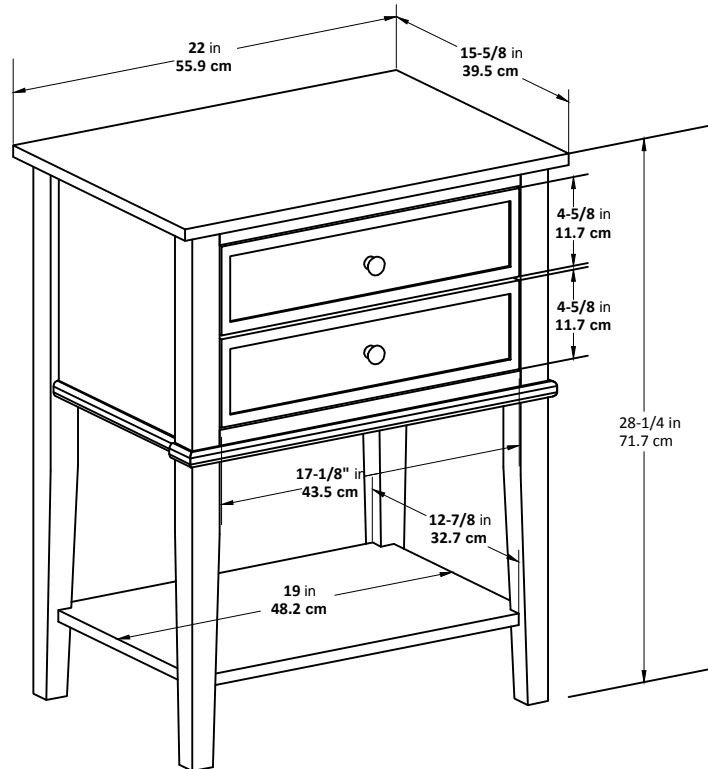
Franklin End Table W/2 Drawers

Model Number: 5062596PCOM
Finish: Black



OVERALL PRODUCT SIZE(in inches)

End Table W/2 Drawer: 22"(W)* 15-5/8"(D)* 28-1/4"(H)



MAXIMUM WEIGHT CAPACITIES

