

Crescent Point 6 Drawer Chest

5979303COM
5979330COM
5979325COM



ASSEMBLED DIMENSION (H X W X D)

31-7/8" X 53-1/4" X 16-1/2"

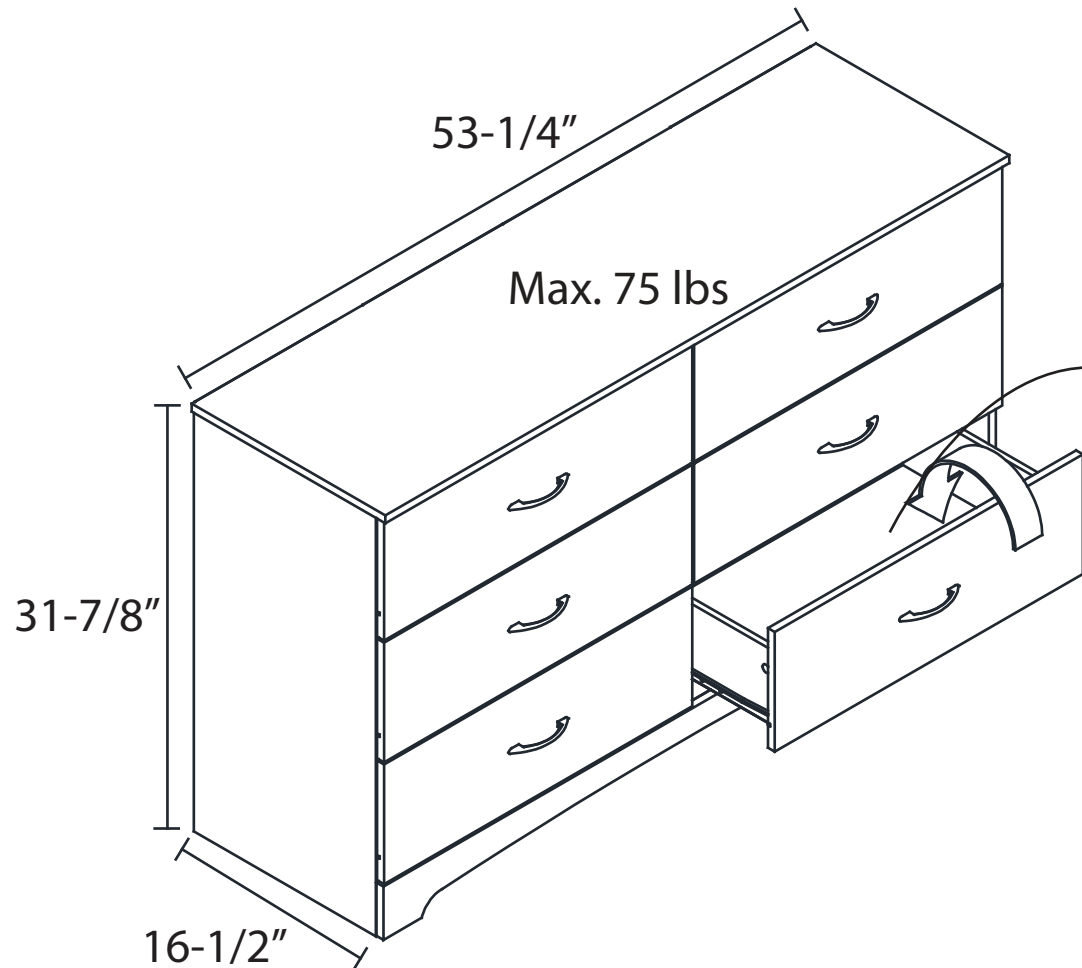
81 cm X 135.5 cm X 42 cm

Unit Weight : 112.2 lbs (51kg)

Drawers Compartment Size:

5.-1/8" H x 23-5/8" W x 11-3/4" D

(0.82 cu. ft)



All drawers
max. 35 lbs

