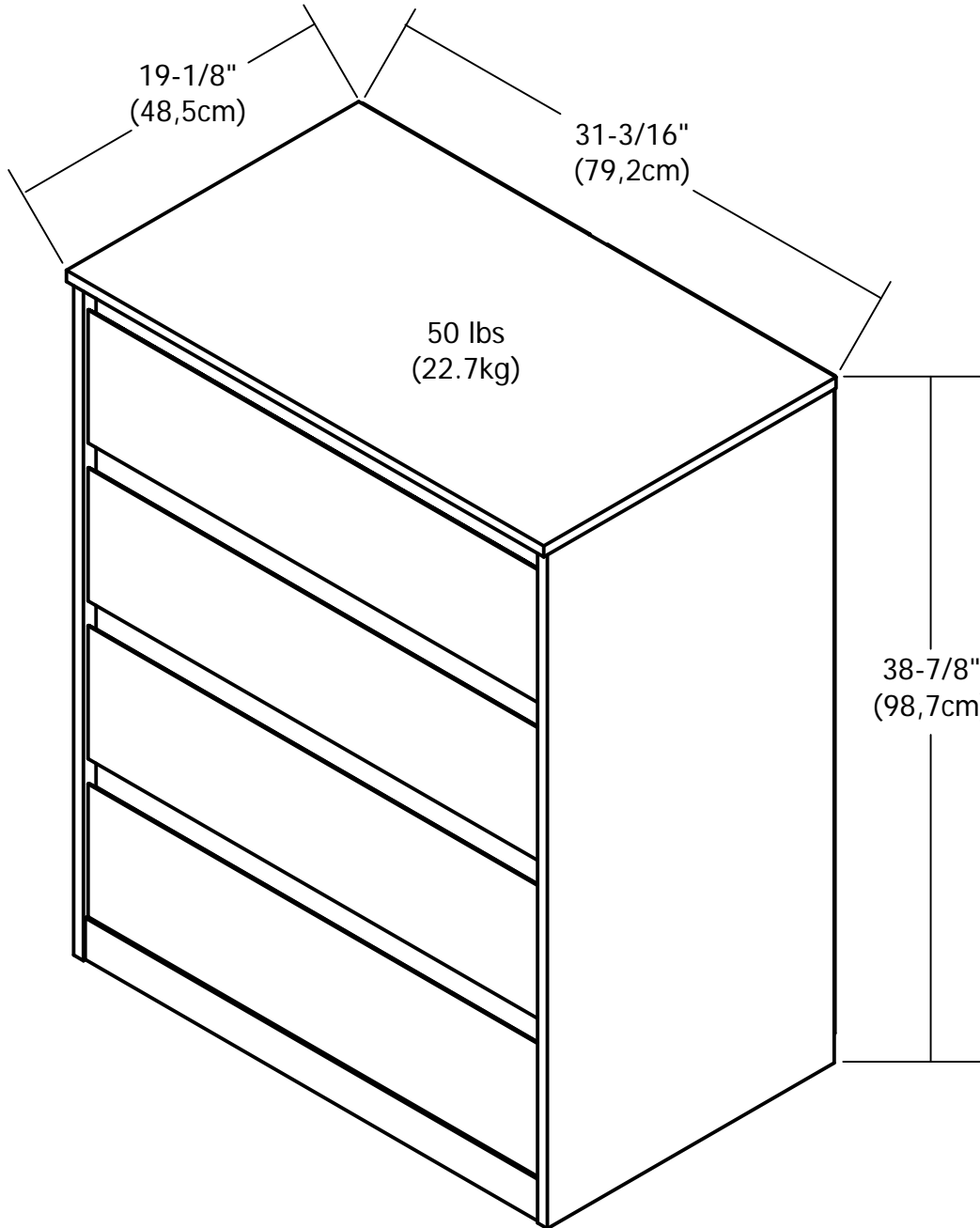


**Weight:**  
92 lbs (41.7kg)

UNIT DESCRIPTION  
4 DRAWER CHEST

ASSEMBLED DIMENSIONS (H X W X D)  
38-7/8 in. H x 31-3/16 in. W x 19-1/8 in. D  
98,7cm H x 79,2cm W x 48,5cm D



**drawer box size:**

4-3/4" H x 27-3/4" W x 13-3/8" D  
12cm H x 70,4cm W x 34cm D

