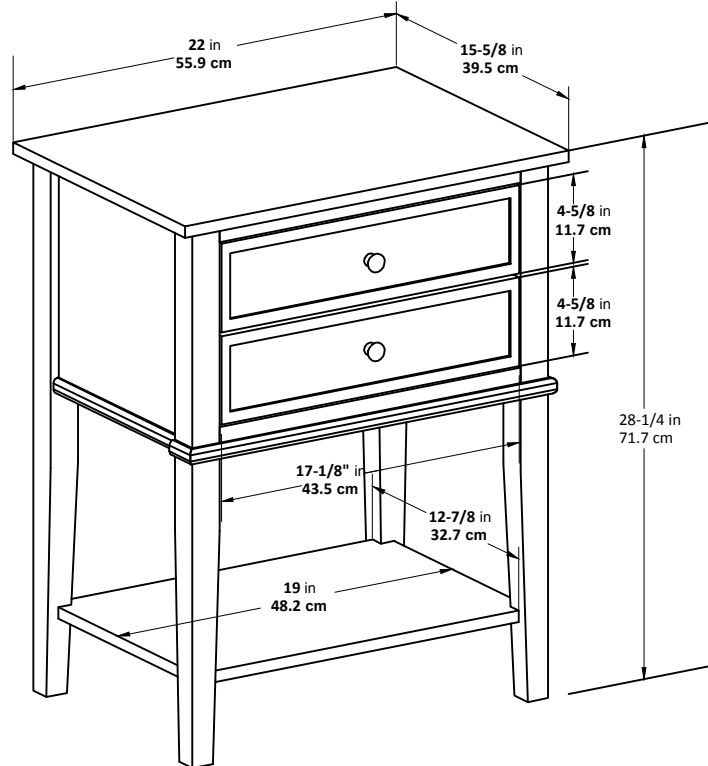


**Franklin End Table W/2 Drawers**  
Model Number: 5062196PCOM  
Finish: Grey



OVERALL PRODUCT SIZE(in inches)

End Table W/2 Drawer: 22"(W)\* 15-5/8"(D)\* 28-1/4"(H)



**MAXIMUM WEIGHT CAPACITIES**

