

# Franklin End Table W/2 Drawers

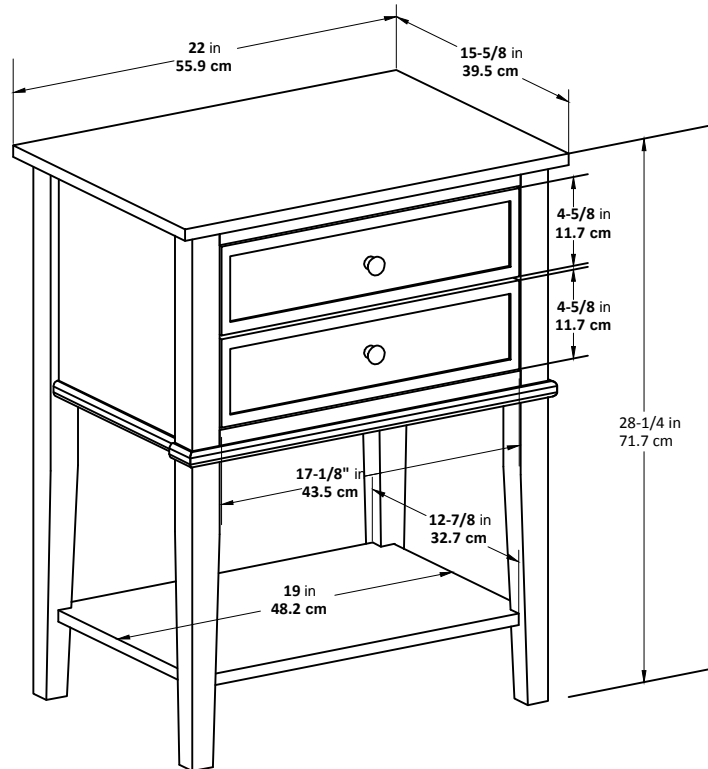
Model Number: 5062096PCOM

Finish: White



OVERALL PRODUCT SIZE(in inches)

End Table W/2 Drawer: 22"(W)\* 15-5/8"(D)\* 28-1/4"(H)



## MAXIMUM WEIGHT CAPACITIES

