

Crib

Model Number:5881096PCOM

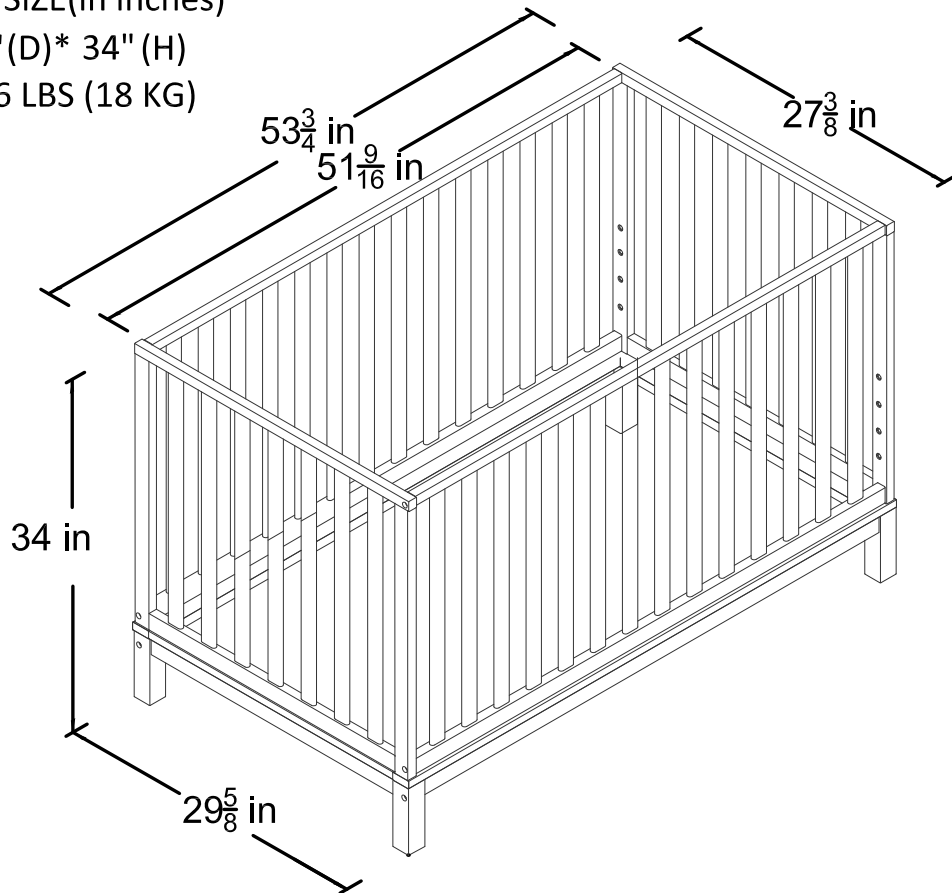
Finish: Espresso and White



OVERALL PRODUCT SIZE(in inches)

Crib: $53\frac{3}{4}$ " (W)* $29\frac{5}{8}$ " (D)* 34" (H)

UNITE WEIGHT: 39.6 LBS (18 KG)



MAXIMUM WEIGHT CAPACITIES

