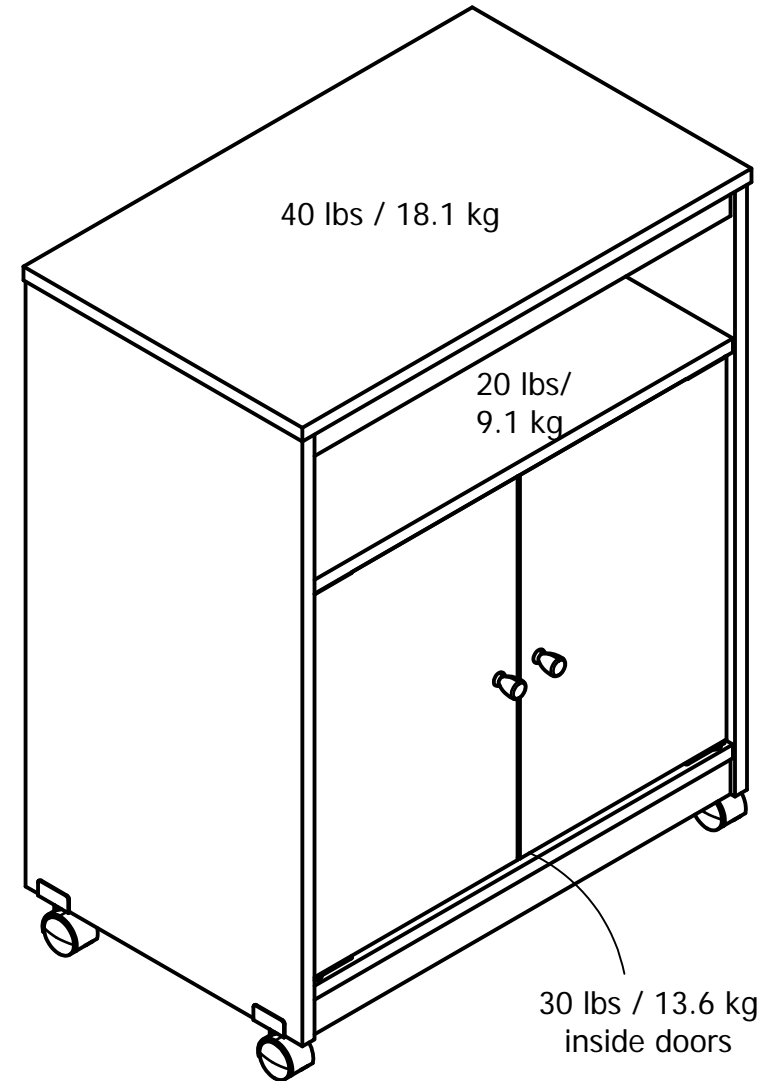
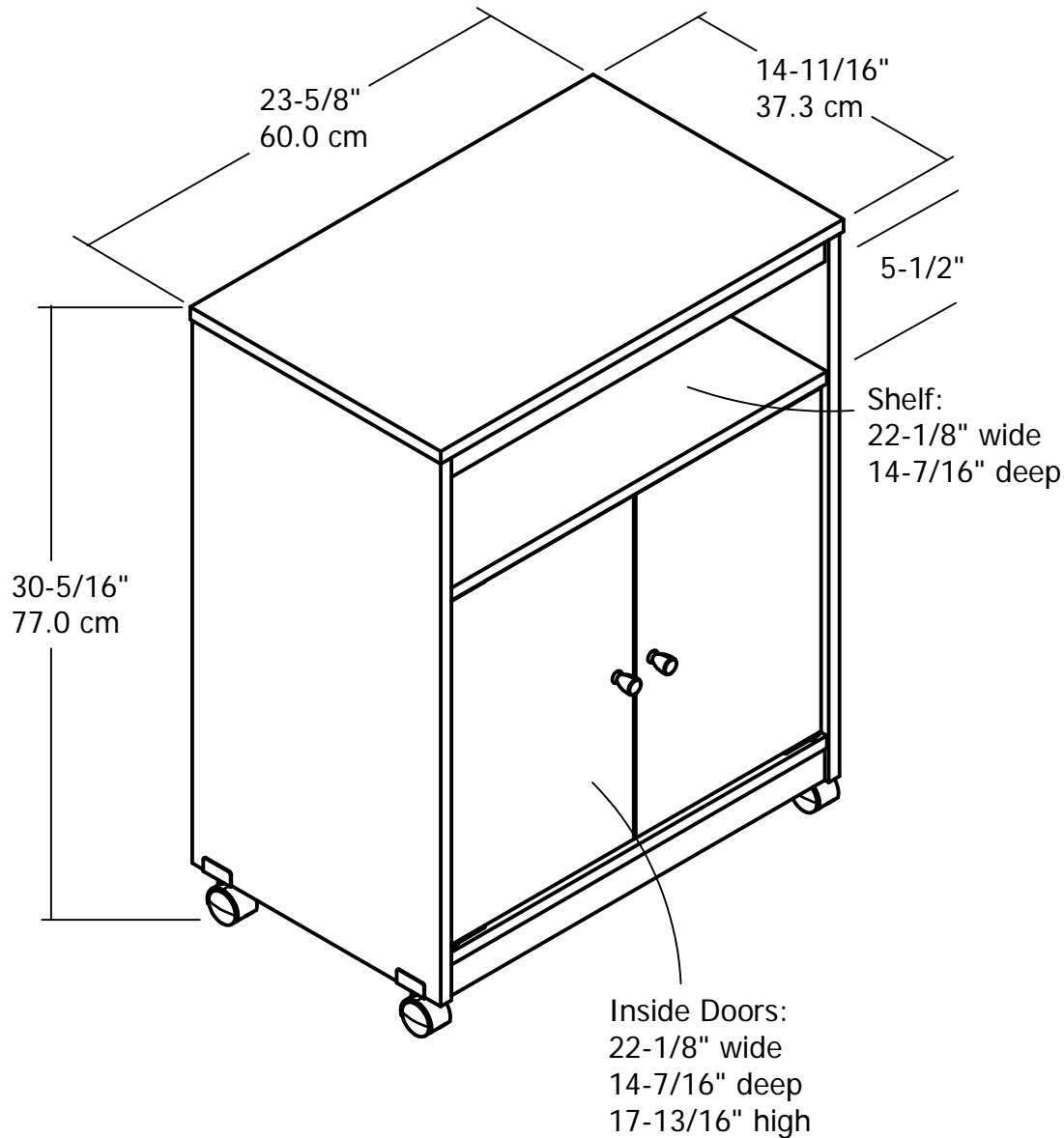


UNIT DESCRIPTION

UTILITY CART

ASSEMBLED DIMENSIONS (H X W X D)

30-5/16" x 23-5/8" x 14-11/16"
769mm x 600mm x 373mm



FINISH: BLACK EBONY ASH (26)