

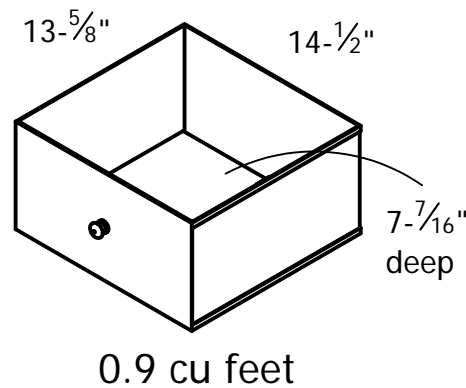
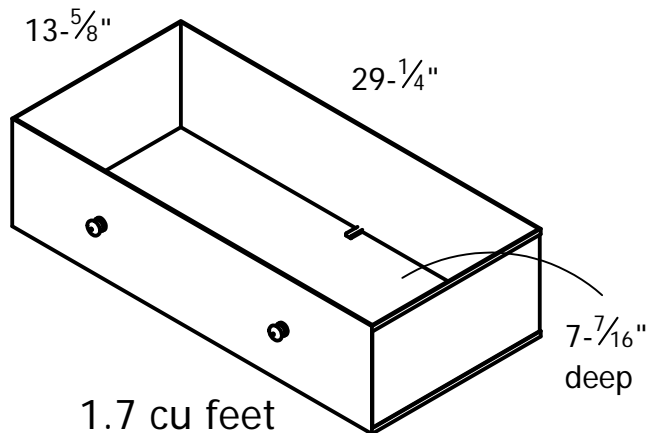
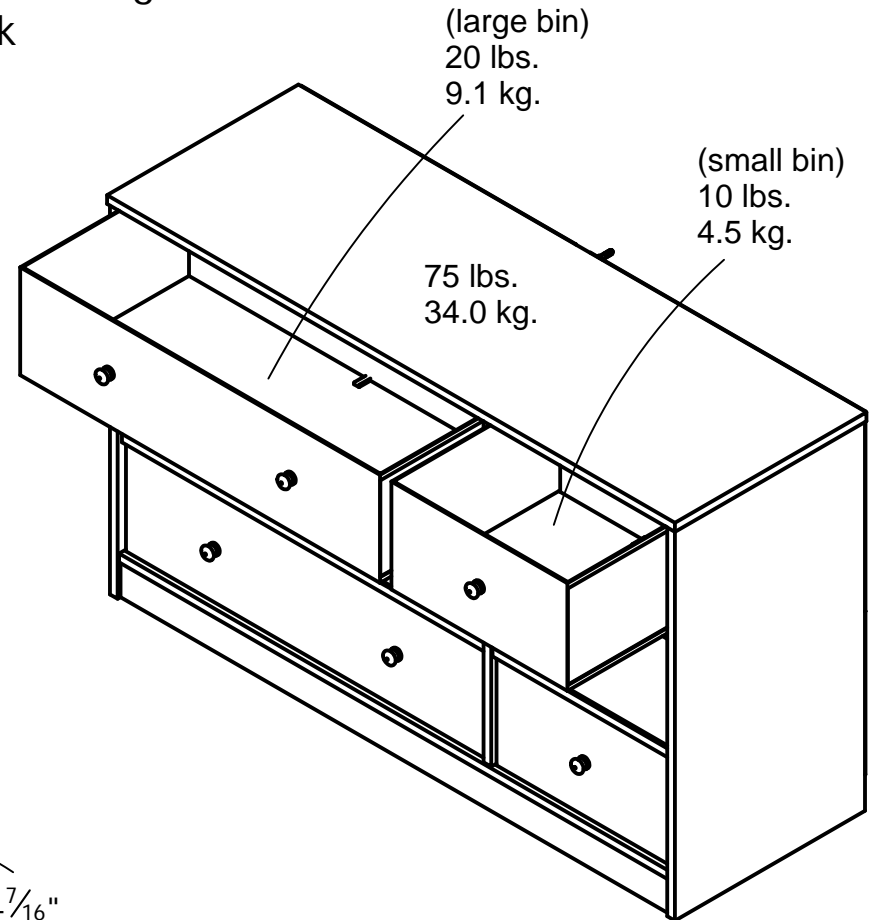
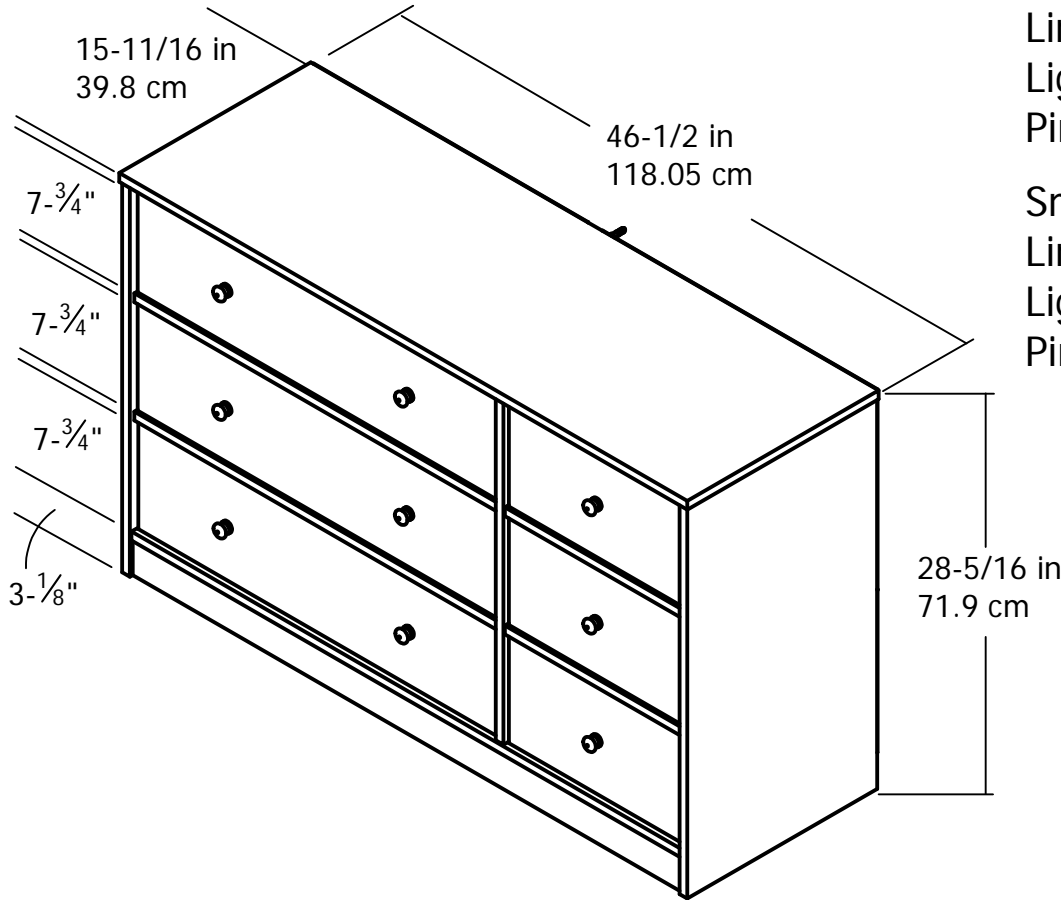
UNIT DESCRIPTION
 6 DRAWER STORAGE

ASSEMBLED DIMENSIONS (H X W X D)

28-5/16 in X 46-1/2 in X 15-11/16 in
 71.9 cm X 118.05 cm X 39.8 cm

Large Bin Colors:
 Lime Green
 Light Blue
 Pink

Small Bin Colors:
 Lime Green
 Light Orange
 Pink



FINISH: ENCHANTED PINE (218)
 UNIT WEIGHT: 88 LBS (39.9 KG)
 WOOD BREAKDOWN: 80%