

Wildwood Entryway Hall Tree

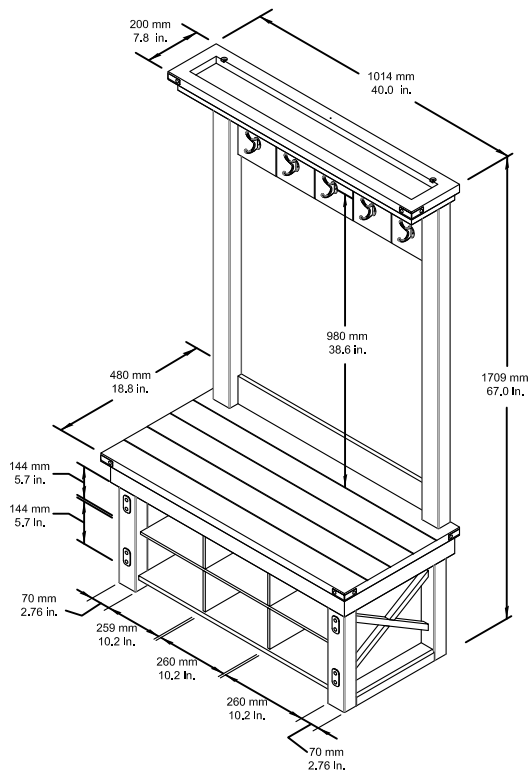
Model Number: 5045096PCOM
Finish: Rustic Oak



OVERALL PRODUCT SIZE(in inches)

Kitchen Cart: 40" (W) * 18 ⁴/₅" (D) * 67" (H)

Unit Weight: 100.1 lbs (45.4 kgs)



MAXIMUM WEIGHT CAPACITIES

